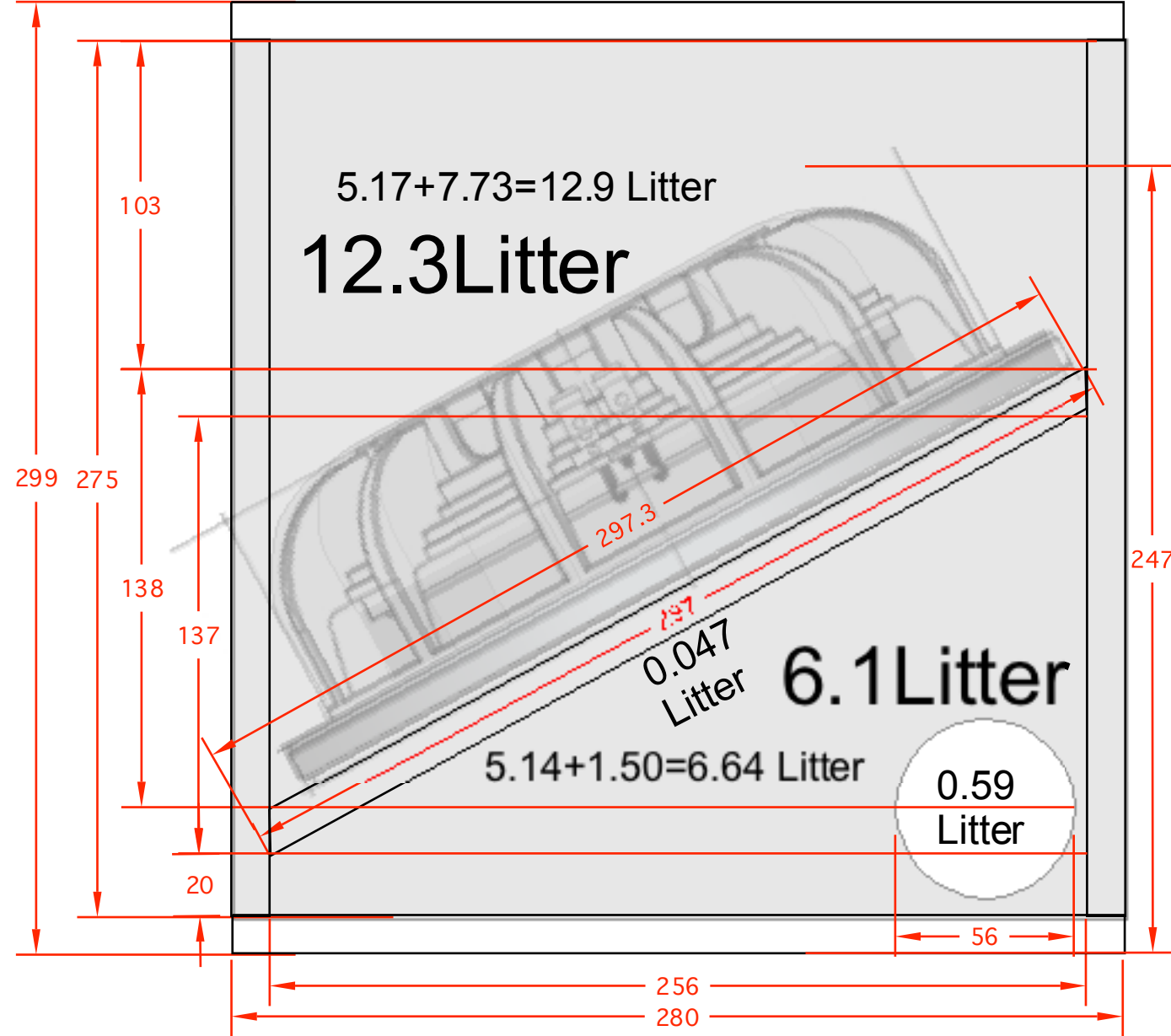
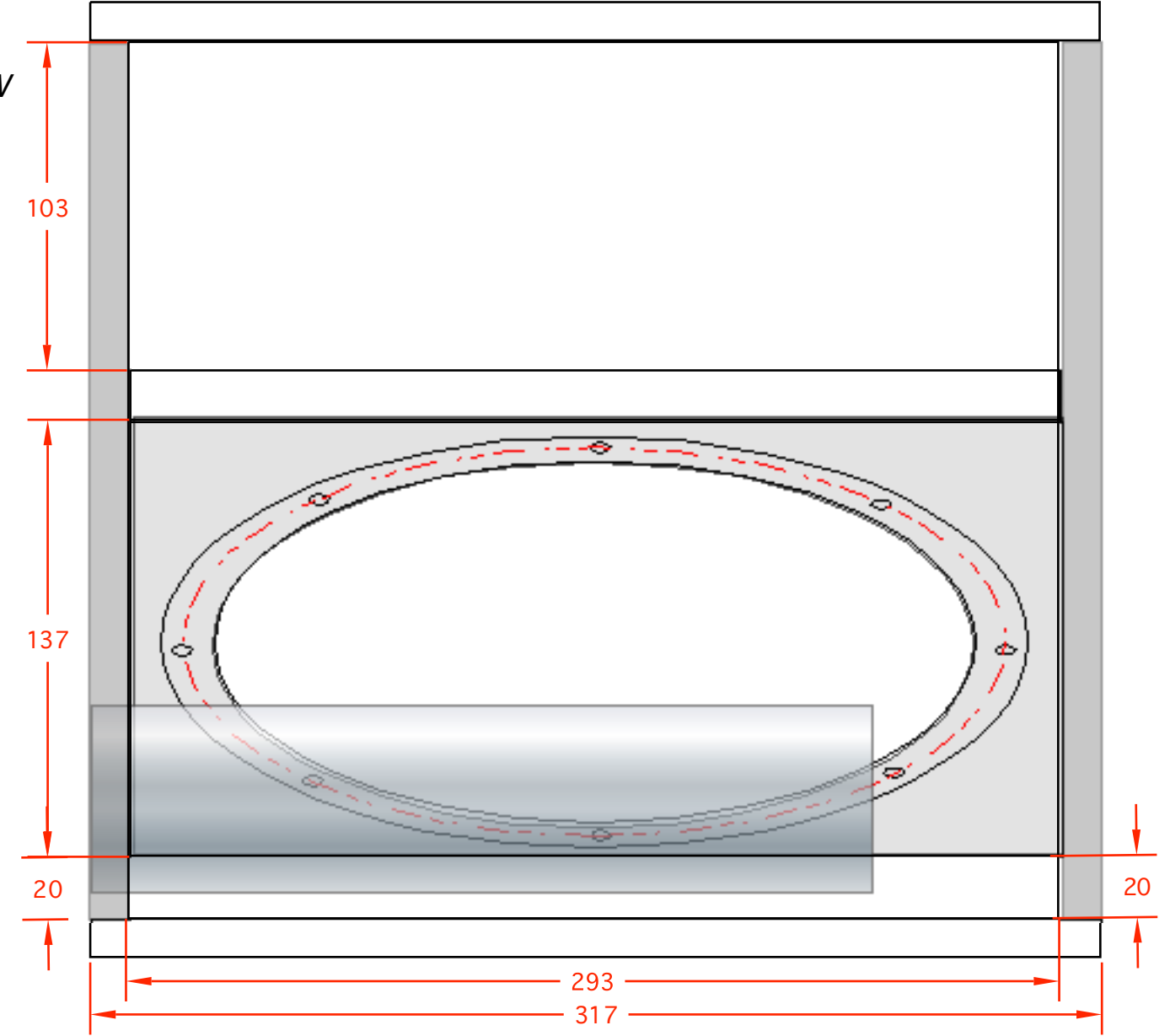


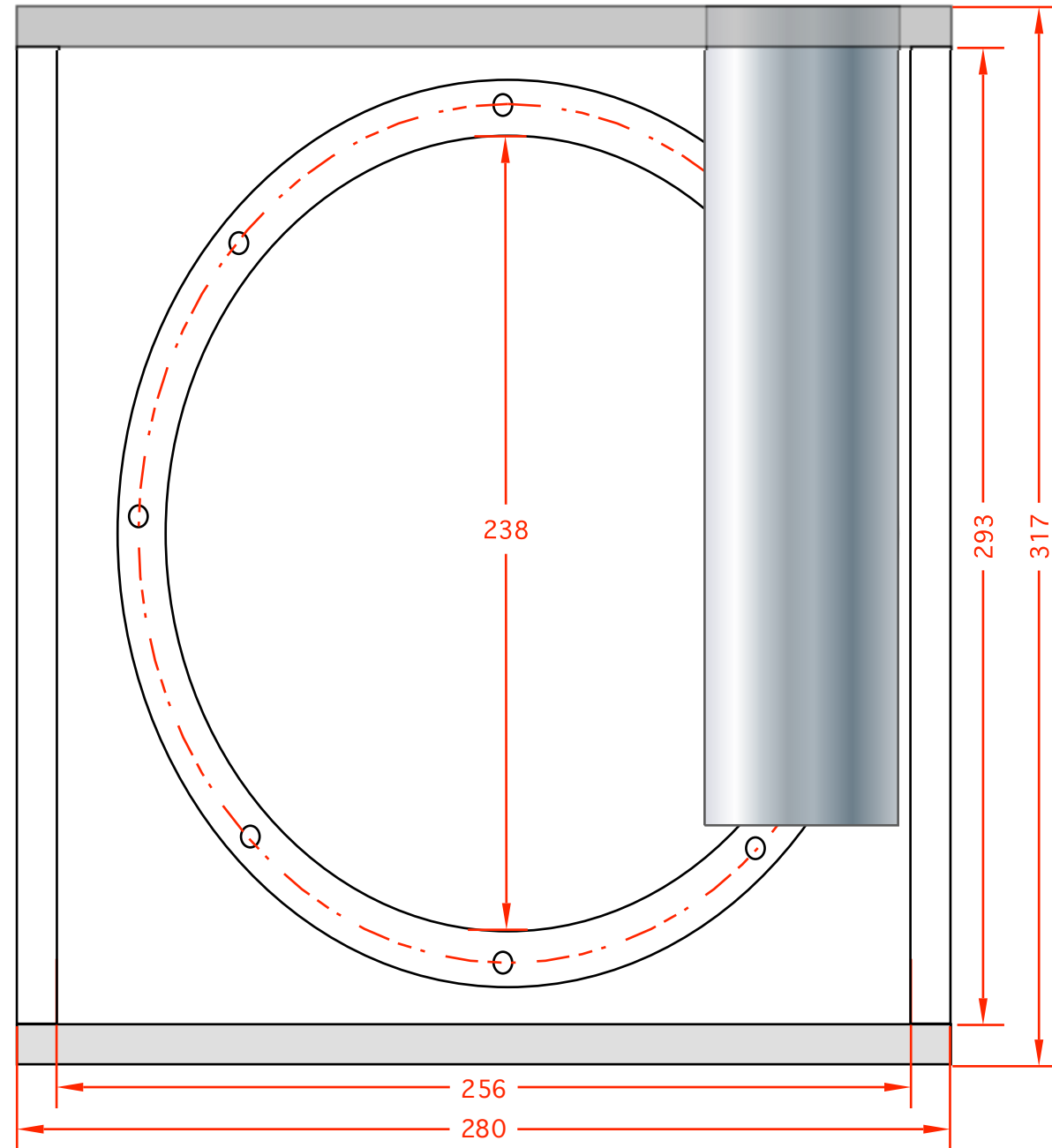
FRONT VIEW



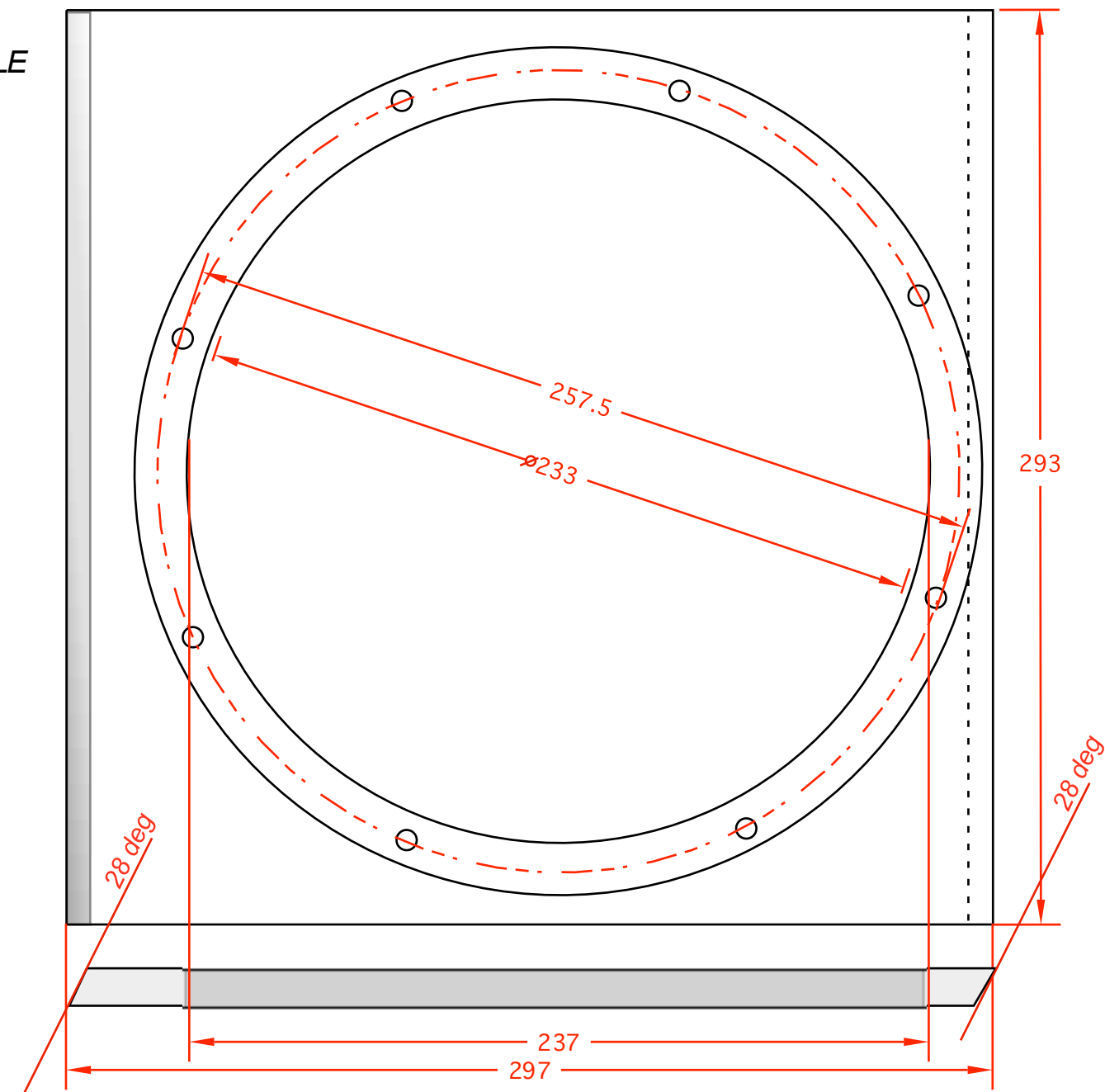
RIGHT SIDE VIEW



BOTTOM VIEW

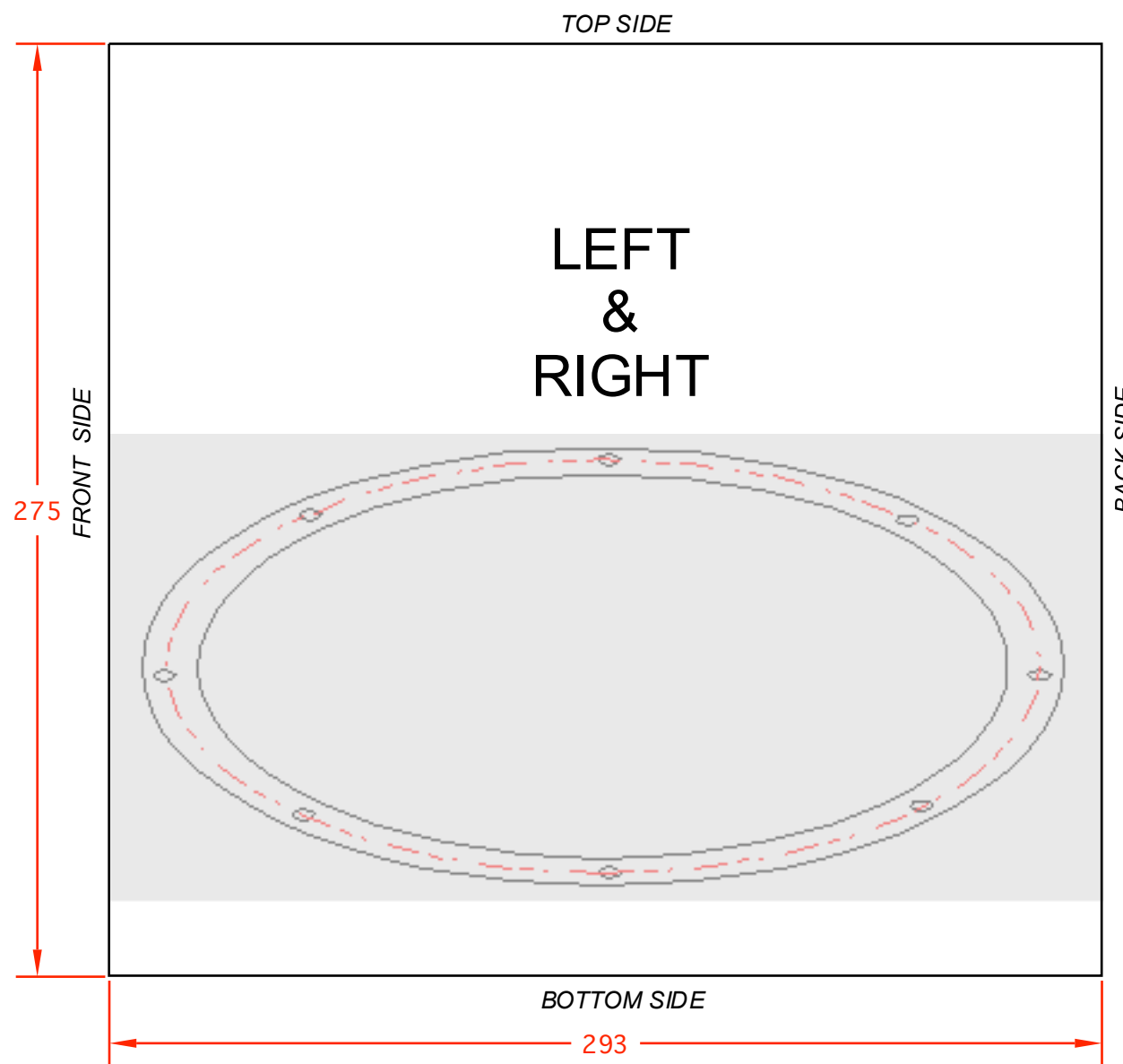
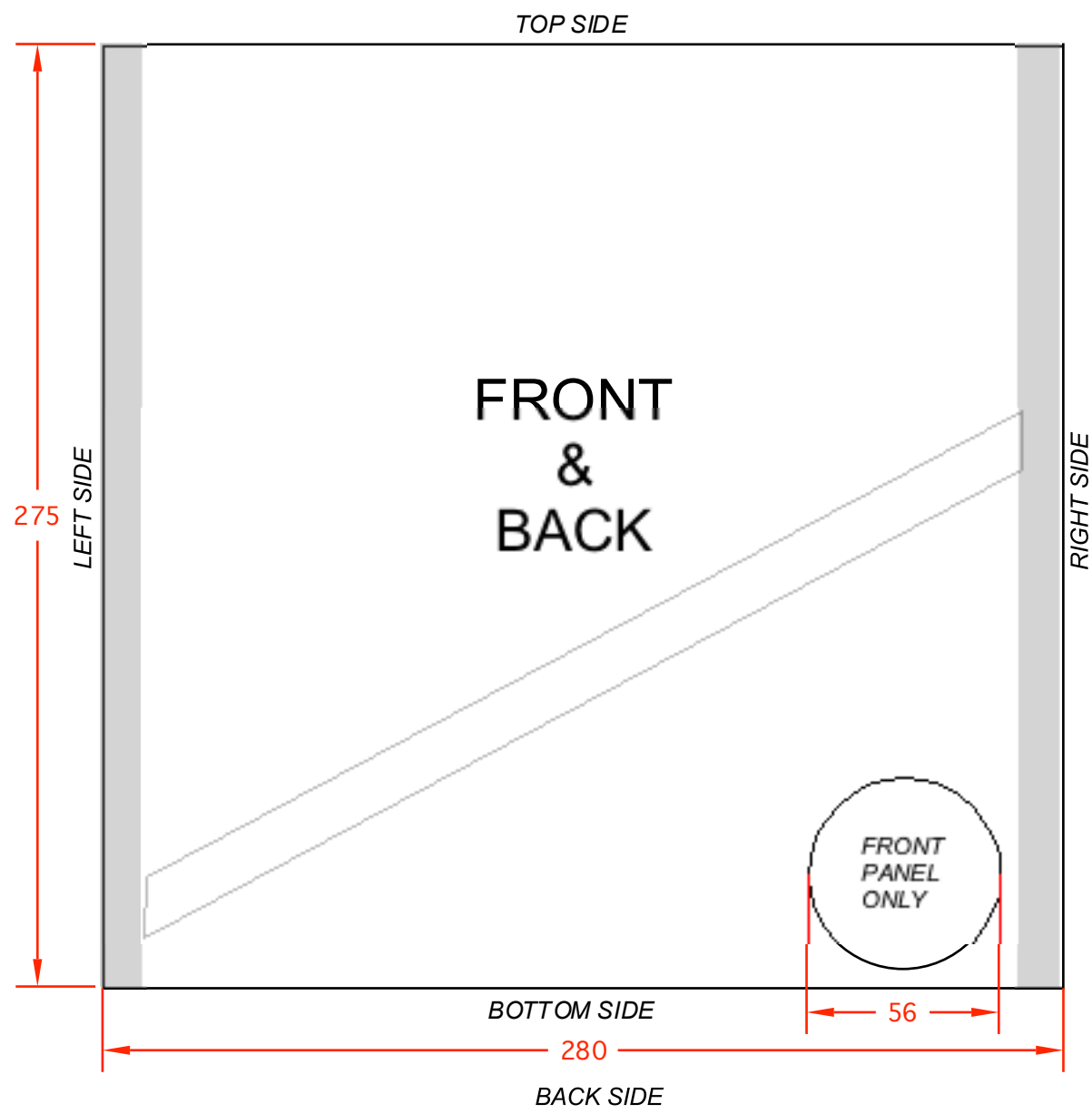


SPEAKER BUFFLE



*Dayton Audio  
 LS44-10 DVC  
 35Hz - 105Hz  
 Bandpass  
 Enclosure*

*Designed by CyberPit HILO 2017*



*Dayton Audio  
LS44-10 DVC  
35Hz - 105Hz  
Bandpass Enclosure  
Board Dimensions*

*Designed by CyberPit HILO 2017*

